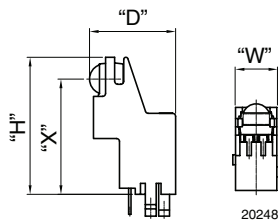
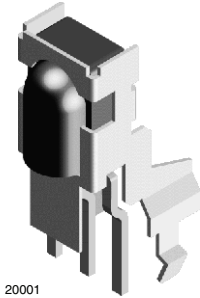


IR Receiver Modules for Remote Control Systems


FEATURES

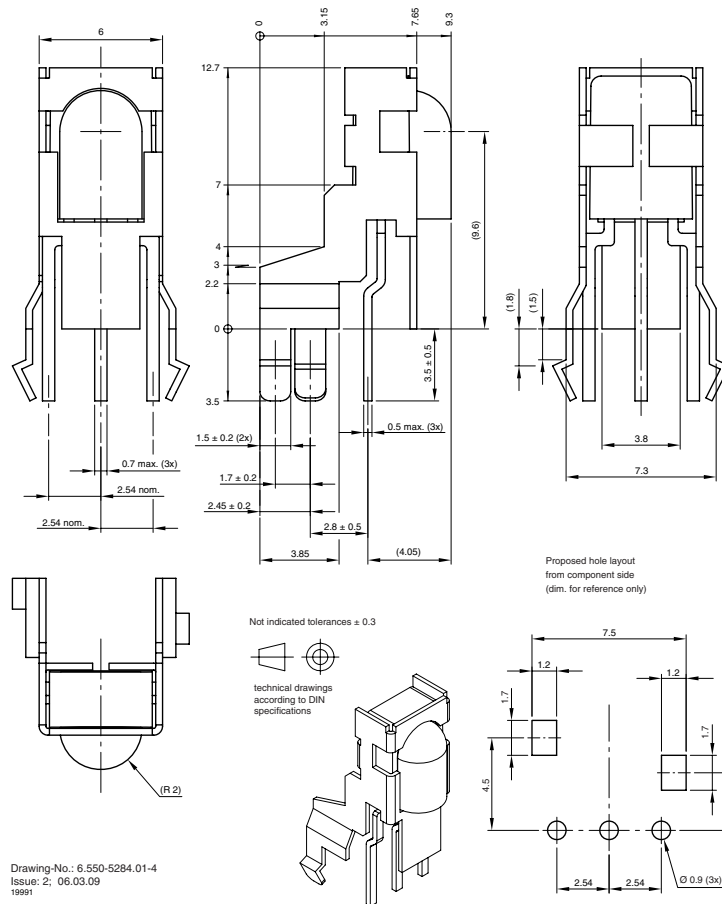
- Compliant to RoHS directive 2002/95/EC and in accordance to WEEE 2002/96/EC


AVAILABLE FOR:

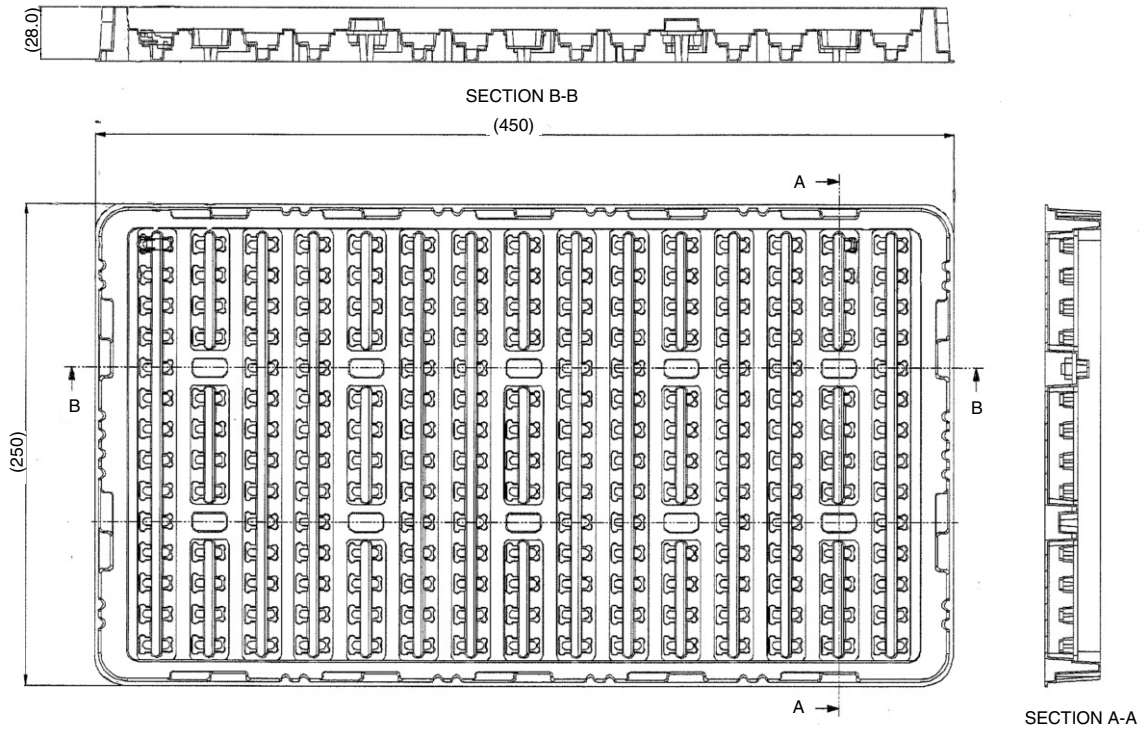
- TSOP58...
- TSOP59...
- TSOP38...
- TSOP39...
- TSOP98...


RoHS
COMPLIANT

NAME	LENS AXIS (X)	VIEW	TYPE	HEIGHT (H)	WIDTH (W)	DEPTH (D)
PC1	9.6	Side	Holder	12.7	7.3	9.3

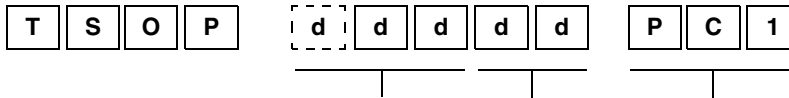
MECHANICAL DIMENSIONS in millimeters


PACKAGING DIMENSIONS in millimeters



TSOP 8... PC.
9.700-5301.0-2
Rev. 1 Date 25.01.06
20246-1

ORDERING INFORMATION



2 or 3 digit product series 2 digit frequency Holder type

Note

d = "digit", please consult the list of available series on the previous page to create a valid part number.

Example: TSOP58238PC1

PACKING QUANTITY

- 200 pieces per tray
- 5 trays per carton